

GTR-118

Generator Controller

Manual



Web Site : <http://www.monicon.com.tw>







E-mail : sales@monicon.com.tw

1. Controller Description

GTR-118 is a multi-function diesel engine generator controller. It applies an external switch to manually control the generator. No special training is required due to the easy operation. Fault protection includes: Emergency stop, Over speed, High water temperature, Low oil pressure, Low frequency and Aux. input 1. GTR-118 also displays the low battery voltage warning, and indicates the running status, speed status and power status. GTR-118 equips with high firm continental-type terminal that provides easy plug in and removal. Furthermore, GTR-118 has 10 pins Dip switch for adjusting parameter according to system requirements, and make it not only reducing stock but also meeting the various system specifications. GTR-118 build-in 5 output powers relays which perform high power capacity reach to 5 Amp (DC) that saves the wiring for connection with extra power relays. No matter in function, protection or operation performance. GTR-118 is your best choice.

2. Profile

A、LCD Icon Descriptions

Icon	Descriptions	Icon	Descriptions
	Emergency Stop	LOWBATT	Low Battery Volt
	High Water Temp.	DC	DC System
	Low Oil Pressure	V	Volt Unit
	Over Speed	Hr	Run Hour
	Run	Hz	Frequency Unit
OFF	Off Mode		Low Frequency
RPM	RPM Value	!1	Aux. Input 1

3. Back Panel Function Description

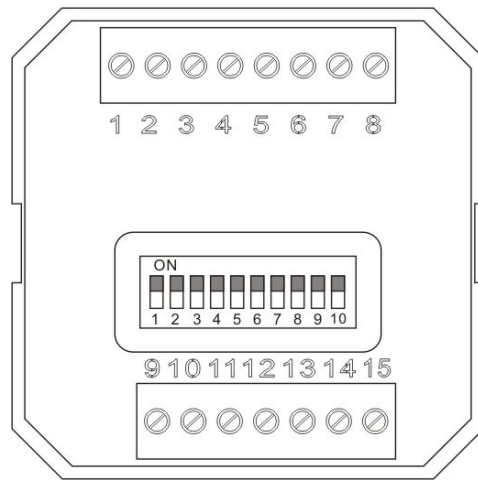


Fig. 2 GTR-118 Controller Back Panel

E u r o p i u m S t y l e C o n n e c t o r	Number	Description	Code
	1	Input power (Battery +)	++
	2	Ground (Battery -)	GND
	3	Standby utility	
	4	Output fuel valve relay	Valve
	5	Output alarm relay	Alarm
	6	Output stop relay	Stop
	7	Idle/Pre-heat relay	PreHeat
	8	Charge fire point	Charge
	9	Aux. Input 1 switch	Aux. 1
	10	Aux. switch shutdown	Em.Stop
	11	Input , High water temp.	H.W.T.
	12	Input, Low oil press.	L.O.P.
	13	Input , start	RUN
	14	Input , Frequency detect terminal	F.D.1
15	Input , Frequency detect terminal	F.D.2	

A 、 Dip switch settings function

- Pin 1 & Pin 2 : Valve on to stop engine timer

Pin1	Pin2	Valve on stop engine delay
OFF	OFF	5 sec
ON	OFF	10 sec
OFF	ON	15 sec
ON	ON	20 sec

List 2 Stop Period

- Pin3 : System frequency 【ON : 50Hz ; OFF : 60Hz】
- Pin4 : Escape motor by oil pressure switch 【ON : Enable ; OFF : Disable】
- Pin5 : Pressure switch type 【ON : Normal Open ; OFF : Normal Close】
- Pin6 : Idle / Pre-heat output delay time 【ON : 10 (120) Sec ; OFF : 1 (10) Sec】
- Pin7 : Low DC Volt 【ON : 10.5VDC ; OFF : 21VDC】
- Pin8 : Standby utility
- Pin9 : Standby utility
- Pin10 : Idle / Pre-heat Function Select 【ON : Idle ; OFF : Pre-heat】

4. Case Dimension

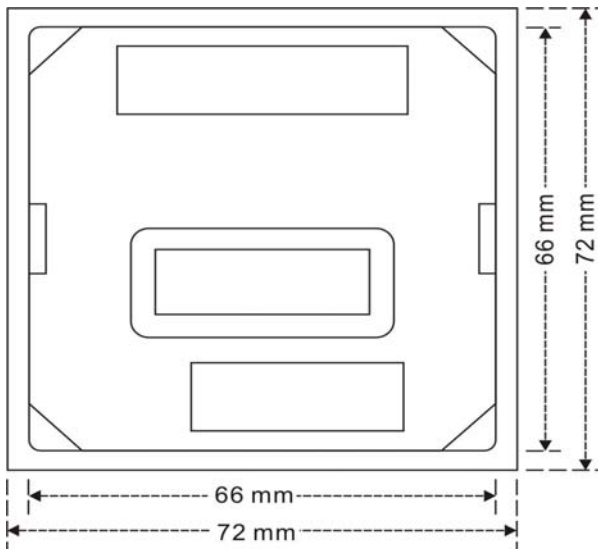


Fig. 3 GTR-17 Case Dimension of Back View

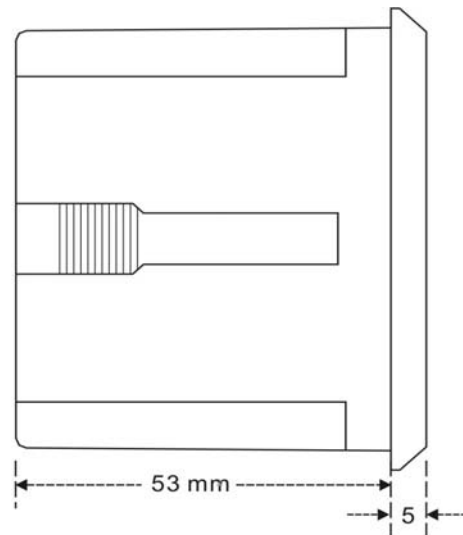


Fig. 3 GTR-17 Case Dimension of Back View

5. Specifications

DC supply :

8~36 VDC

Power Consumption :

Max.5 W

Measuring Frequency :

0~75 Hz (min AC Volt. 5 V ; max AC Volt. 300V)

Relay Output :

Start output : 5A

Valve output : 5A

Idle / Pre-heat output : 5A

Alarm Output : 5A

Stop output : 5A

Ambient Temperature Range :

-30 °C ~ 70 °C

Dimension (W * H * D) :

72mm x 72 mm x 58 mm

Panel cut-out (W * H) :

68 mm x 68 mm

Weight :

190 g (0.42 lb.)

Protections and parameters :

Auxiliary shutdown protection: 1 Sec., Normal Close

Low battery warning: 5 Sec., 10.5 / 21 VDC

Over speed protection: 2 Sec., 55/66 Hz

Low Frequency Protection : 6 Sec., Stop

Aux. Input 1 : 3 Sec., Stop

High water temp. protection: 2 Sec., Normal Open

Low oil pressure protection: 2 Sec., Normal Open / Normal Close

Cranking speed up limited: 0.5 Sec., 16Hz

Safety on timer: 5 Sec (*)

(*) All alarms are ignored until safety on timer expired, except the emergency stop and over speed.

6. Controller Wiring Example

