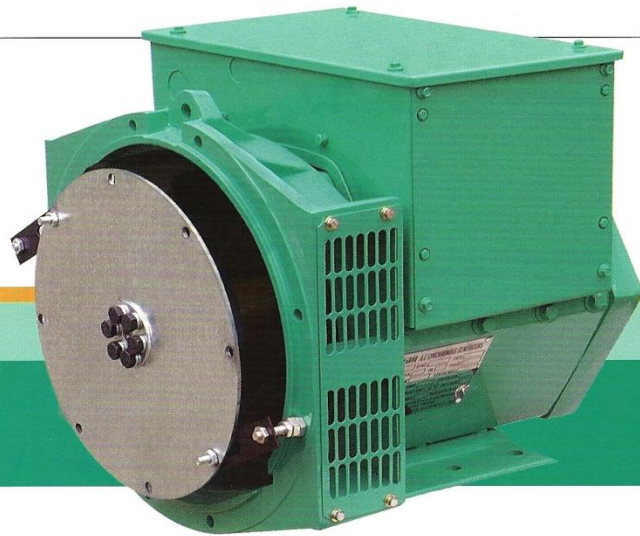


# NEW ERA CGG

SERIES THREE-PHASE BRUSHLESS SYNCHRONOUS ALTERNATOR



## CGG 164 TECHNICAL DATA SHEET

### 50Hz CLASS "H"

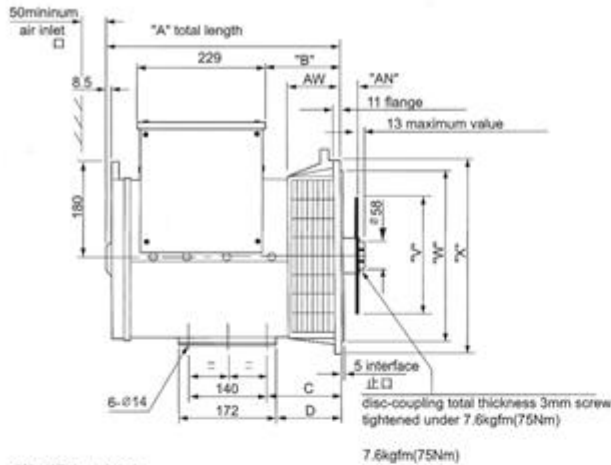
RATINGS	Winding 311 / 0.8 Power Factor														Winding 05			
	Cont./125k/40°C								Cont./125k/40°C						Cont./125k/40°C			
Duty / Temp Rise / Ambient T°																		
PHASE	3 PHASE								1 PHASE						1 PHASE			
SERIES STAR	380		400		415		440								Power Factor			
PARALLEL STAR	190		200		208		220								0.8		1	
SERIES DELTA	220		230		240		254											
DOUBLE DELTA									220		230		240		220,230,240			
	KVA	KW	KVA	KW	KVA	KW	KVA	KW	KVA	KW	KVA	KW	KVA	KW	KVA	KW	KVA	KW
SLG164A	8.1	6.5	8.1	6.5	8.1	6.5	6.2	5	4.7	3.8	4.7	3.8	4.7	3.8	5.4	4.3	6.8	6.8
SLG164B	11	8.8	11	8.8	11	8.8	8.5	6.8	6.4	5.1	6.4	5.1	6.4	5.1	7.4	5.9	8.4	8.4
SLG164C	13.5	10.8	13.5	10.8	13.5	10.8	11	8.8	7.8	6.2	7.8	6.2	7.8	6.2	9.0	7.2	11.0	11.0
SLG164D	16	12.8	16	12.8	16	12.8	13.5	10.8	9.3	7.4	9.3	7.4	9.3	7.4	10.8	8.6	13	13

### 60Hz CLASS "H"

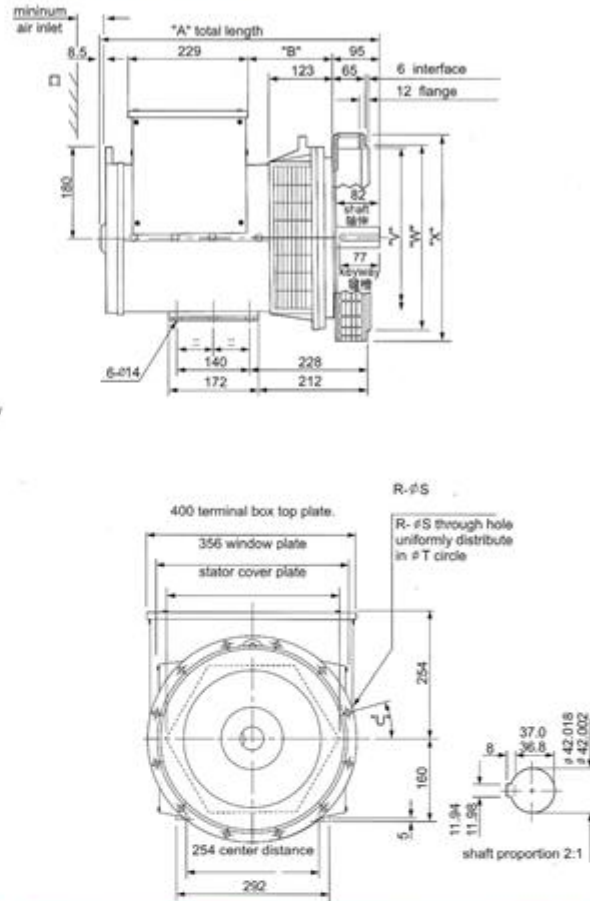
RATINGS	Winding 311 / 0.8 Power Factor														Winding 06			
	Cont./125k/40°C								Cont./125k/40°C						Cont./125k/40°C			
Duty / Temp Rise / Ambient T°																		
PHASE	3 PHASE								1 PHASE						1 PHASE			
SERIES STAR	416		440		460		480								Power Factor			
PARALLEL STAR	208		220		230		240								0.8		1	
SERIES DELTA	240		254		266		277											
DOUBLE DELTA									220		230		240		220,230,240			
	KVA	KW	KVA	KW	KVA	KW	KVA	KW	KVA	KW	KVA	KW	KVA	KW	KVA	KW	KVA	KW
SLG164A	9.6	7.7	10.2	8.2	10.2	8.2	10.2	8.2	5.1	4.1	5.4	4.3	5.6	4.5	6.4	5.1	8.2	8.2
SLG164B	13	10.4	13.8	11	13.8	11	13.8	11	6.9	5.5	7.2	5.8	7.5	6	8.8	7.0	11.0	11.0
SLG164C	16	12.8	16.9	13.5	16.9	13.5	16.9	13.5	8.5	6.8	8.9	7.1	9.3	7.4	10.8	8.6	13.5	13.5
SLG164D	18.9	15.1	20	16	20	16	20	16	10	8	10.5	8.4	11	8.8	13.5	10.8	16.5	16.5

## External dimension

### SINGLE BEARING



### DOUBLE BEARING



Model	DIMENSION (mm)						SHIPMENT DATA		
	A			B			N.W (kg)	G.W (kg)	LXWXH (mm)
SLG164A	SAE3/5	SAE4	SAE6	SAE3/5	SAE4	SAE6	85	95	515X485X620
SLG164B	403.5	391.5	435.2	119.5	107	151.2	90	102	515X485X620
SLG164C	403.5	391.5	435.2	119.5	107	151.2	96	110	515X485X620
SLG164D	403.5	391.5	435.2	119.5	107	151.2	99	116	515X485X620

Model	DIMENSION		SHIPMENT DATA		
	A	B	N.W(kg)	G.W(kg)	LXWXH(mm)
SLG164A	511.5	137	91	101	565X485X620
SLG164B	511.5	137	98	108	565X485X620
SLG164C	511.5	137	106	116	565X485X620
SLG164D	511.5	137	112	122	565X485X620

S.A.E.NO.	FLANGE (mm)								
	AW	R	S	T	U <sup>o</sup>	W	X	C	D
3	105	8	11	428.6	15	409.5	451	145	129
4	93	8	11	381.0	15	361.9	402	133	117
5	105	8	11	333.3	22.5	314.3	356	145	129
6*	136.7	8	11	285.8	22.5	266.7	308	176.7	160.7

S.A.E.NO.	FLANGE (mm)						
	R	S	T	U <sup>o</sup>	V	W	X
3	12	11	428.6	15	396	409.5	451
4	12	11	381.0	15	352	361.9	403
5	8	11	333.3	22.5	301	314.3	356

S.A.E.NO.	DISC COUPLING (mm)				
	AN	AM	AP	AR	V
6.5	30.16	6	8.7	200.0	215.8
7.5	30.16	8	8.7	222.2	241.2
8	61.9	6	11	244.5	263.4
10	53.98	8	11	295.3	314.2

SAE NO	SINGLE BEARING SAE NO SELECTOR			
	SAE 6.5	SAE 7.5	SAE 8	SAE 10
SAE 3	•	•		•
SAE 4		•	•	•
SAE 5	•	•		
SAE 6	•			

Note: \* "A" dimension should extend 31.77mm corresponding to an additional spacer plate added on SAE6.  
 \* 8 holes of SAE3 uniformly distribute on the circle spaced as 12.